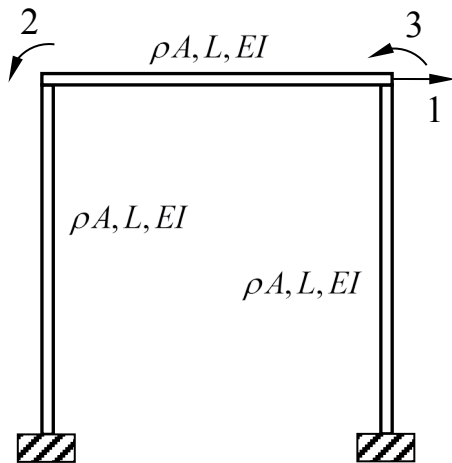
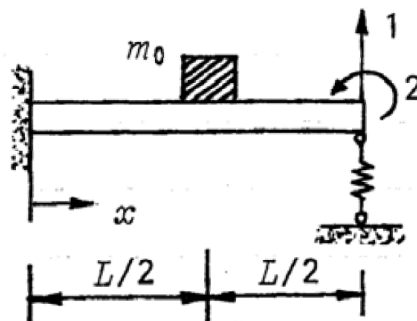


1. Determine the stiffness and consistent mass matrices of the truss. Calculate the eigenvalues and vectors of the system.



2. Determine the consistent mass matrix of the enclosed frame using three DOFs.



3. The mass  $m_0$  is added to the half of the beam. Determine the consistent mass of the 2DOF system.